

Y-pieces YSVL-45

[Download Wentyle](#)
[Download AlnorCAM](#)
[Buy via B2B](#)



Description

YSVL-45 – Y-pieces with EPDM gasket and 45° branch
Available upon request: 15°, 30°, 60°.
e.g. YSVL-15- d₁ - d₃ - d₄

Please specify two angles and all dimensions when ordering.

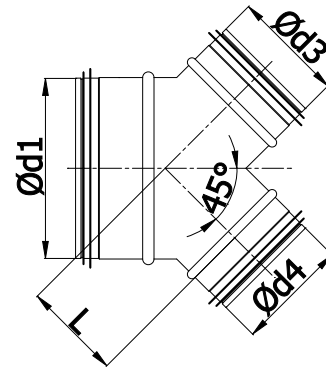
Example identification

Product code: YSVL-45- aaa - bbb - ccc

type _____
 $\varnothing d_1$ _____
 $\varnothing d_3$ _____
 $\varnothing d_4$ _____

| $\varnothing d_1$ rated [mm] | $\varnothing d_3$ rated [mm] | $\varnothing d_4$ [mm] | L_2 [mm] | weight [kg] |
|---------------------------------|---------------------------------|---------------------------|---------------|----------------|
| 80 | 80 | 80 | 120 | 0,4 |
| 100 | 100 | 100 | 140 | 0,5 |
| 125 | 125 | 125 | 170 | 0,7 |
| 140 | 100 | 100 | 185 | 0,8 |
| 150 | 100 | 100 | 190 | 1,0 |
| 160 | 112 | 112 | 195 | 1,2 |
| 160 | 160 | 160 | 205 | 1,3 |
| 180 | 125 | 125 | 215 | 1,5 |
| 200 | 140 | 140 | 230 | 1,7 |
| 250 | 180 | 180 | 280 | 1,9 |
| 280 | 200 | 200 | 310 | 2,3 |
| 300 | 200 | 200 | 320 | 2,5 |
| 315 | 224 | 224 | 335 | 2,9 |
| 355 | 250 | 250 | 365 | 4,0 |

Dimensions



| $\varnothing d_1$ rated [mm] | $\varnothing d_3$ rated [mm] | $\varnothing d_4$ [mm] | L_2 [mm] | weight [kg] |
|---------------------------------|---------------------------------|---------------------------|---------------|----------------|
| 400 | 280 | 280 | 400 | 4,6 |
| 400 | 300 | 300 | 410 | 4,8 |
| 450 | 315 | 315 | 440 | 6,4 |
| 500 | 355 | 355 | 490 | 7,7 |
| 560 | 400 | 400 | 550 | 9,2 |
| 600 | 400 | 400 | 580 | 9,8 |
| 630 | 450 | 450 | 610 | 11,4 |
| 710 | 500 | 500 | 670 | 15,6 |
| 800 | 560 | 560 | 680 | 18,8 |
| 900 | 630 | 630 | 730 | 21,5 |
| 1000 | 710 | 710 | 900 | 31,0 |
| 1120 | 800 | 800 | 960 | 39,0 |
| 1250 | 900 | 900 | 1050 | 46,7 |
| 1400 | 1120 | 1120 | 1250 | 67,4 |
| 1400 | 1250 | 1250 | 1340 | 75,8 |
| 1500 | 1250 | 1250 | 1420 | 80,4 |
| 1500 | 1400 | 1400 | 1520 | 92,8 |
| 1600 | 1400 | 1400 | 1630 | 101,2 |
| 1600 | 1500 | 1500 | 1700 | 111,0 |